



City of Los Angeles Sidewalk Vending Rules



All sidewalk vending in the City of Los Angeles public right-of-way are governed by these rules, as of January 1, 2019.

1. Keep it clean. You must pick up trash and recycle.

All food vending carts or kiosks shall be equipped with refuse containers large enough to contain all refuse generated by the operation of such cart or kiosk, and the operator of the food vending cart or kiosk shall pick up all refuse generated by such operation within a 50-foot radius of the cart or kiosk before such cart is moved. All recyclable materials shall be separated from other refuse and disposed of in a manner consistent with the current City of Los Angeles (City) recycling policy.

2. Keep the sidewalk open for pedestrians and other uses.

No person shall install, use, or maintain any vending cart or kiosk which projects onto, into, or over any sidewalk or parkway when such installation, use or maintenance endangers the safety of persons or property, or when such site or location is used for public utility purposes, public transportation purposes or other governmental use, or when such cart or kiosk unreasonably interferes with or impedes the flow of pedestrian or vehicular traffic, the ingress into or the egress from any residence or place of business, or the use of poles, posts, driveways, traffic signs or signals, hydrants, mailboxes, or other objects permitted at or near said locations. No vending cart or kiosk shall be so placed that the clear space for the passage of pedestrians upon the sidewalk is reduced to a width of less than five feet. No mobile or street vendor shall obstruct or cause to be obstructed the passage of any sidewalk, street, avenue, alley or any other public place, by causing people to congregate at or near the place where goods, wares, food, or merchandise of any kind is being sold or offered for sale.

- a) Distances from the following above ground facilities (AGF) shall be no less than three feet:
 - (1) Street lights
 - (2) Edges of tree wells
 - (3) Parking meters
 - (4) Above ground utility structure
- b) Distances from fire hydrants shall be no less than five feet.
- c) Distances from any existing subsurface utility box, valve, or vault shall be no less than two feet.
- d) Distance from face of curb and from edge of existing driveways shall be no less than 18 inches (*see Diagram 1*).
- e) Distances between vendors shall be three feet clear (*see Diagram 2*).
- f) No vending spaces will be permitted at bus stop locations, or at locations where there are existing above ground amenities such as street furniture (benches, bike racks), newsstands, and red curbs.
- g) No vending spaces will be permitted in roadway, medians, pedestrian islands, and bikeways.
- h) No stationary vending location shall be placed directly in front of any building. All stationary vending locations shall be placed 18 inches from the curb face.
- i) No Vending In Areas Located Within The Immediate Vicinity Of Permitted Activities Including Construction Related Sidewalk Closures, Special Events, Swap Meets, Filming, And Farmers' Markets.
- j) Distance from an entrance way to any building, store, theatre, movie house, house of worship or place of public assembly shall be a minimum of 20 feet.
- k) Distance from any restricted vending location as defined in Los Angeles Municipal Code Section 42.13(c) shall be no less than 500 feet any property line of the restricted location.

3. Some areas are No Vending Areas

- a) Vending at Venice Beach is limited to First Amendment protected expressive activities.
 - (1) Any other venue as determined by the Board of Public Works.

4. Keep produce bagged or protected from bugs and vermin, and follow state laws on produce

All produce regulated by the California Department of Food and Agriculture (CDFA) shall be handled, transported, displayed or disposed of in accordance with all CDFA regulations as they now exist or as amended from time-to-time, but not limited to, the following:

- a) All produce or commodities under quarantine by the CDFA will be protected or safeguarded in an approved manner by being bagged or screened to prevent infestation; any open display is prohibited.
- b) All produce, commodities, or their husks, cores, rinds, or pits shall be sealed in plastic bags before disposing.
- c) Every food vendor shall have a receipt, invoice, bill of lading or other acceptable proof of origin of all produce or commodities under quarantine.
- d) All produce or commodities under quarantine that are sold, offered for sale, or transported within the quarantine area, must be of commercial origin.
- e) Any violation of this section may result in the seizure of produce or commodities.

5. Keep all your permits up to date

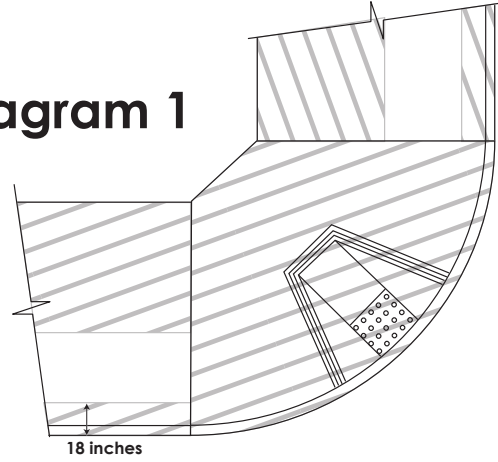
All sidewalk vendors must possess all applicable business, tax and health permits required by the State, County, and or City.



City of Los Angeles Sidewalk Vending Rules



Diagram 1



 Restricted Area

18 inches

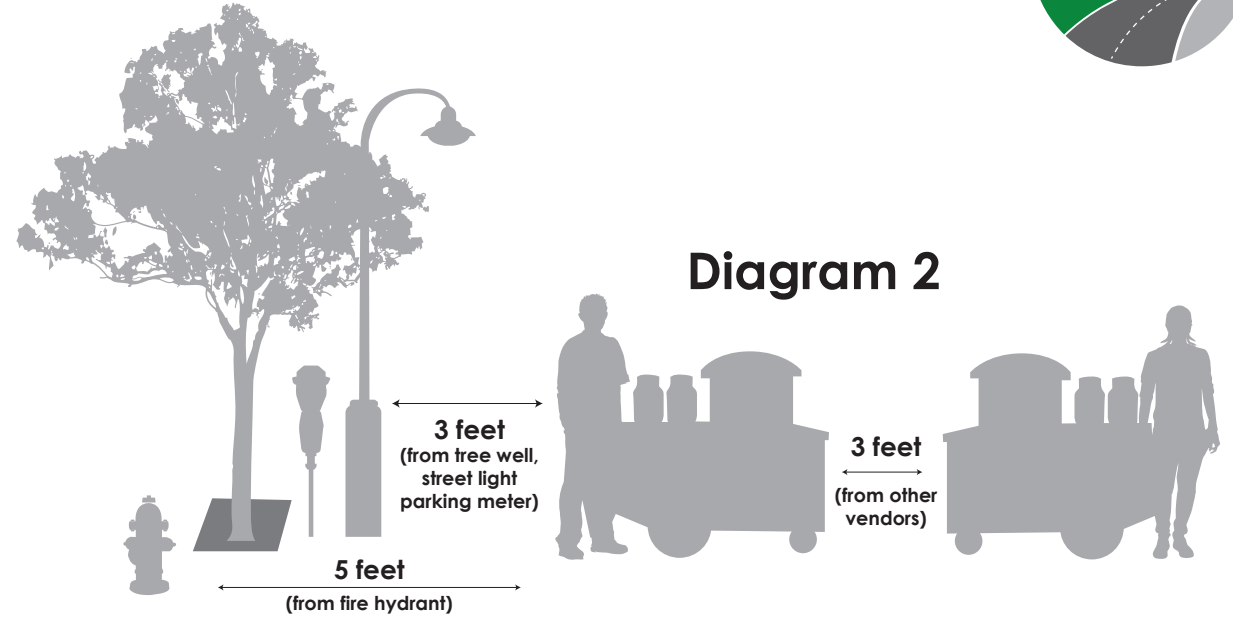


Diagram 2

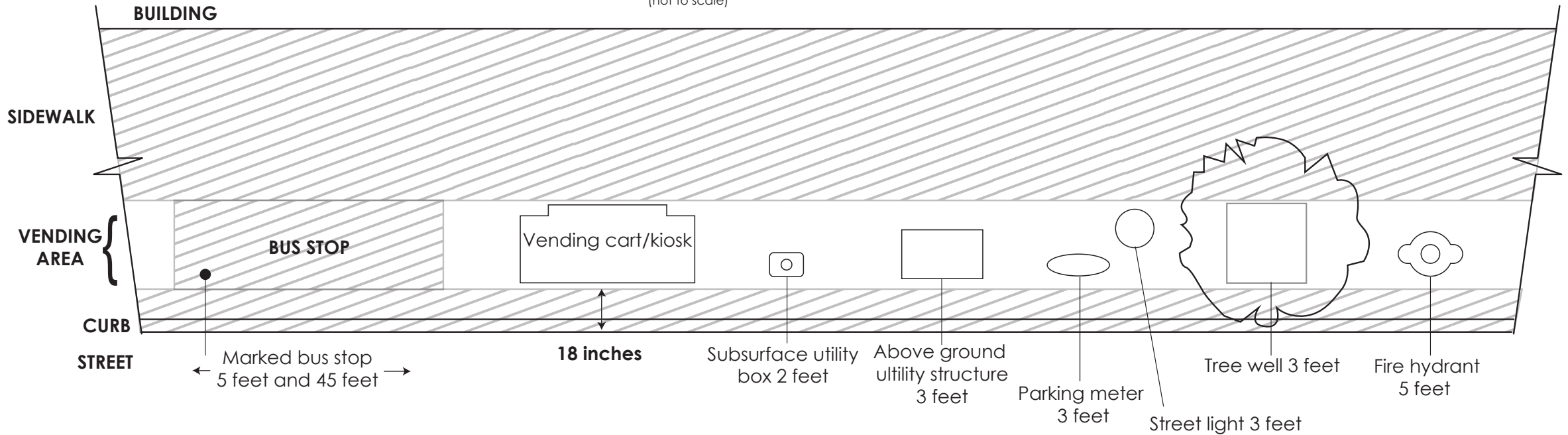
3 feet
(from tree well,
street light
parking meter)

3 feet
(from other
vendors)

5 feet
(from fire hydrant)

Diagram 3

(not to scale)



Marked bus stop
5 feet and 45 feet

18 inches

Subsurface utility
box 2 feet

Above ground
utility structure
3 feet

Parking meter
3 feet

Street light 3 feet

Tree well 3 feet

Fire hydrant
5 feet

<https://streetsla.lacity.org/vending>
213-847-6000